

# ASSEMBLY INSTRUCTION

1 X1PC



2 X2PCS



3 X1PC



A X4PCS



B X12PCS



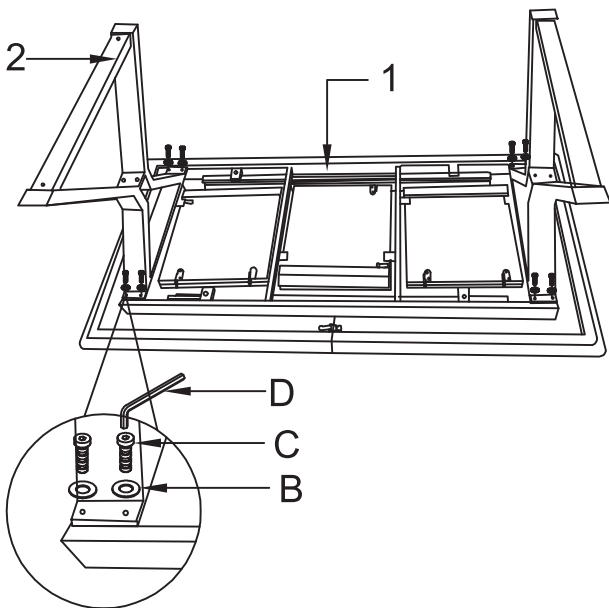
C X8PCS



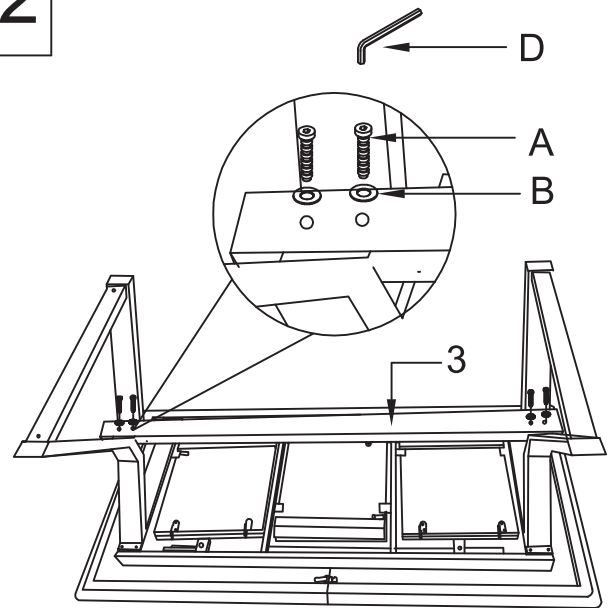
D X1PC



1



2



3

